

DH-IPC-HFW3300C

3.0 Mp CMOS Full HD Water-proof IR Network Camera



DH-IPC-HFW3300CP: 3.0 Mp CMOS, 25fps@1080P, Max. 20fps@3M, 3.3~12mm lens, PoE, IR LED, IP66

DH-IPC-HFW3300CN: 3.0 Mp CMOS, 30fps@1080P, Max. 20fps@3M, 3.3~12mm lens, PoE, IR LED, IP66

Features

- > 1/2.8" 3.0 Mp SONY progressive scan Exmor CMOS image sensor
- > High-performance TI DaVinci series DSP
- > H.264 video compression and JPEG image capture
- > Max 20fps@3M, 25/30fps@1080P resolution
- > Dual encoding streams supported
- > Support ICR true Day/Night
- > Built-in 3.3~12mm/F1.4 CS Auto Iris lens
- > Max. IR distance: 20m
- > Support Alarm I/O
- > Support max 32GB Micro SD card for local storage
- > IP66 Water-proof protection
- > Built-in Web server, NVR, CMS(PSS/DSS) & DMSS
- > DC12V(AC24V optional), PoE

DH-IPC-HFW3300C

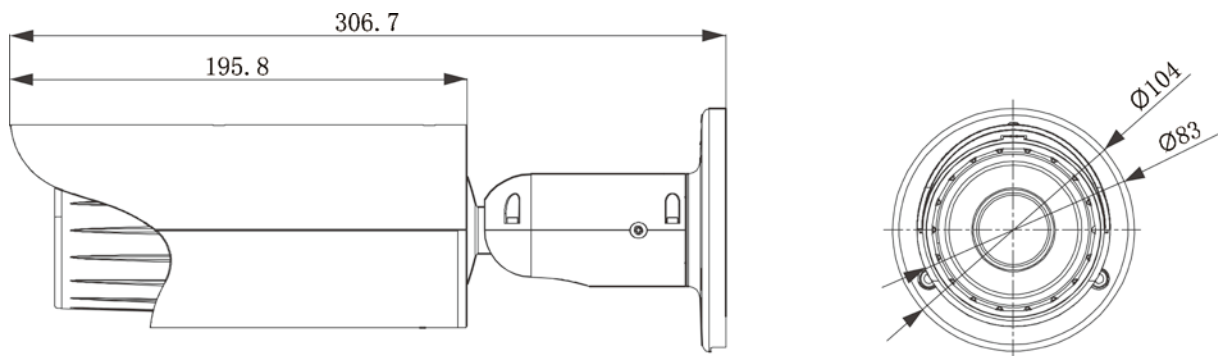
Specifications

Model	DH-IPC-HFW3300CP	DH-IPC-HFW3300CN
General		
Processor	TI DaVinci Series DSP	
Operating System	Embedded LINUX	
Resource	Simultaneous remote monitoring, local recording and remote control	
User Interface	WEB, CMS(DSS/PSS), DMSS, NVR	
Camera		
Image Sensor	1/2.8" 3.0 Mp SONY progressive scan Exmor CMOS	
Effective Pixels	2048(H)×1536(V)	
Electronic Shutter	Auto/Manual, 1/3~1/10,000s	Auto/Manual, 1/4~1/10,000s
Mini. Illumination	0.2LUX/F1.4(Color), 0.01LUX/F1.4(B/W), 0Lux(IR ON)	
Signal Noise Ratio	> 50dB	
Gain Control	Auto/Manual	
White Balance	Auto/Manual	
Day/Night	ICR	
Lens	φ14, Auto Iris, 3.3-12mm@F1.4	
Video		
Video Compression	H264/MJPEG	
Image Resolution	3.0M(2048×1536)/1080P(1920×1080)/SXGA (1280×1024)/1.3M(1280×960) /720P(1280×720) / D1(704×576) / CIF(352×288)	3.0M(2048×1536)/1080P (1920×1080) / SXGA (1280×1024)/1.3M(1280×960) /720P(1280×720) / D1(704×576)/ CIF(352×288)
Encoding Speed	Main Stream: 3M(1~20fps)	Main Stream: 3M(1~20fps)
	Extra Stream: D1 (1~25fps)	Extra Stream: D1(1~30fps)
Bit Rate	56Kbps~8192Kbps	
Snapshot	Fastest 1fps JPEG capture	
Video Format	PAL	NTSC
Analogue Video Output	1 channel BNC(1.0Vp-p, 75Ω)	
Audio		
Audio Compression	G.711a / G.711u / PCM	
Bit Rate	128kbps/64kbps/10.2kbps	
Input	1 channel, 3.5mm JACK LINE IN	
Output	1 channel, 3.5mm JACK SPEAK OUT	
Bidirectional Talk	The same with the audio input channel	
Network		
Ethernet	RJ-45 (10/100Base-T)	
Network Functions	HTTP,TCP/IP,ARP,IGMP,ICMP,RTSP,RTP,UDP,RTCP,SMTP,FTP,DHCP,DNS,DDNS,PPPOE,UPNP,NTP,Bonjour,SNMP	

DH-IPC-HFW3300C

Remote Operation	Monitor, PTZ control, Playback, System setting, File download, Log information, Maintenance & Upgrade
Auxiliary Interface	
SD Card	Max 32GB Micro SD card, local storage
Alarm	2 Input / 1 Output
Environmental	
Power Supply	DC12V(AC24V optional), PoE
Power Consumption	Max.10W
Max. IR Distance	20 m
Ingress Protection	IP66
Operating Environment	-10°C~+60°C, 10%~90%
Dimension	φ104 mm × 306.7 mm
Weight	1.25Kg

Dimensions (mm)



Atik Consulting

20181 Cesano Maderno (MB)

Tel: +39-02-39198473

Fax: +39-02-45503999

Email: info@setik.it

www.setik.it

*Design and specifications are subject to change without notice.

© 2012 Dahua Technology Co., Ltd.